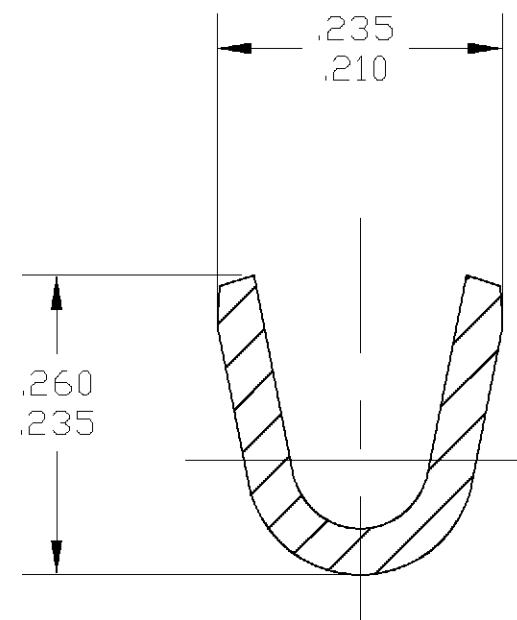
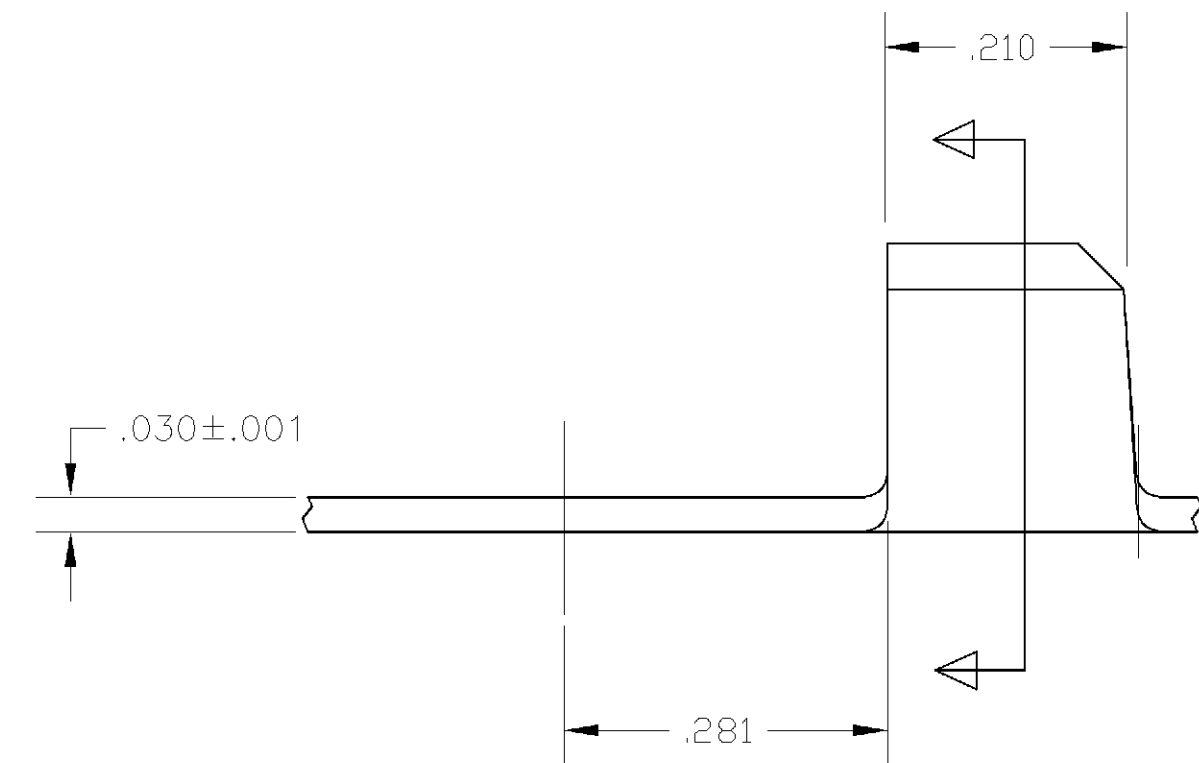
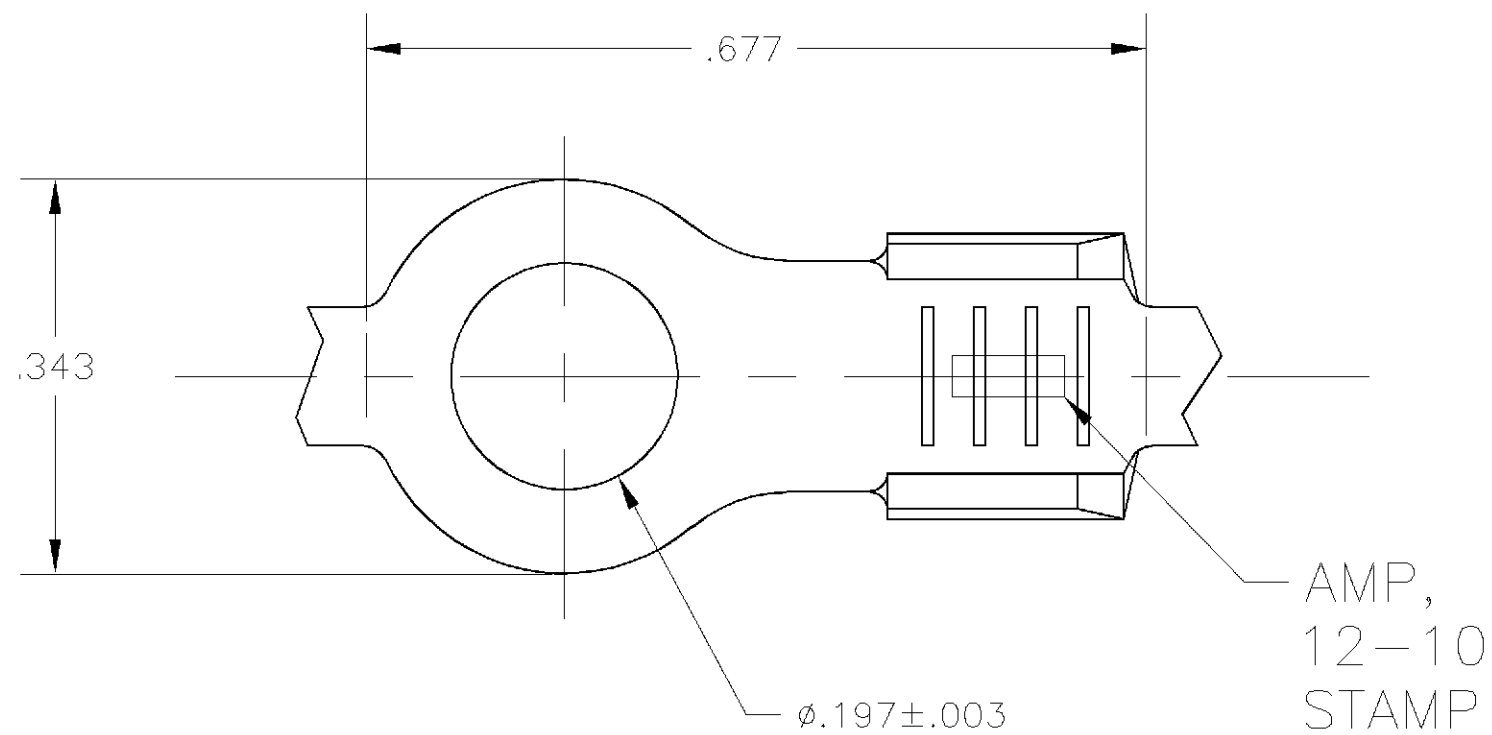


THIS DRAWING IS UNPUBLISHED. RELEASED FOR PUBLICATION
 © COPYRIGHT 64 BY TYCO ELECTRONICS CORPORATION. ALL RIGHTS RESERVED.

| LOC | DIST | REVISIONS | | | |
|-----|------|-------------|--------------------------|---------|-------|
| P | LTR | DESCRIPTION | DATE | DWN | APVD |
| AF | 50 | N | REDRAWN PER OG3A-0051-02 | 14FEB02 | MF DD |



- 1 CONTINUOUS STRIP ON REELS.
- 2 .000080 MIN TIN PLATE.
- 3 .000150 MIN NICKEL PLATE.
- 4 REDUCED PACKAGE QUANTITY.
- 5 PRELIMINARY - NOT FOR PRODUCTION.

| WIRE RANGE | FINISH | PART NUMBER |
|----------------------|--------|--------------------|
| 12-10 AWG | 2 | 40696-2 |
| 12-10 AWG | 3 | 40696-1 |
| 12-10 AWG | 2 | 40696 |

| | | | | |
|---|--|---------------------------------------|--|--------------------|
| THIS DRAWING IS A CONTROLLED DOCUMENT. | | DWN MICHAEL S. FEHER 14FEB2002 | Tyco Electronics Corporation Harrisburg, PA | |
| DIMENSIONS: INCHES | | CHK DONALD F. DECKER 14FEB2002 | | |
| TOLERANCES UNLESS OTHERWISE SPECIFIED: | | APVD DONALD F. DECKER 14FEB2002 | NAME TERMINAL, RING #10 STUD | |
| 0 PLC ± - 1 PLC ± - 2 PLC ± - 3 PLC ± .010 4 PLC ± - ANGLES ± 1° | | PRODUCT SPEC - | SIZE A2 | |
| MATERIAL O82 BRASS | | FINISH SEE TABLE | WEIGHT - | CAGE CODE 00779 |
| | | DRAWING NO C=40696 | | RESTRICTED TO - |
| | | CUSTOMER DRAWING | | SCALE 6:1 |
| | | SHEET 1 OF 1 | | REV N |

40696